

FIGURE 8A

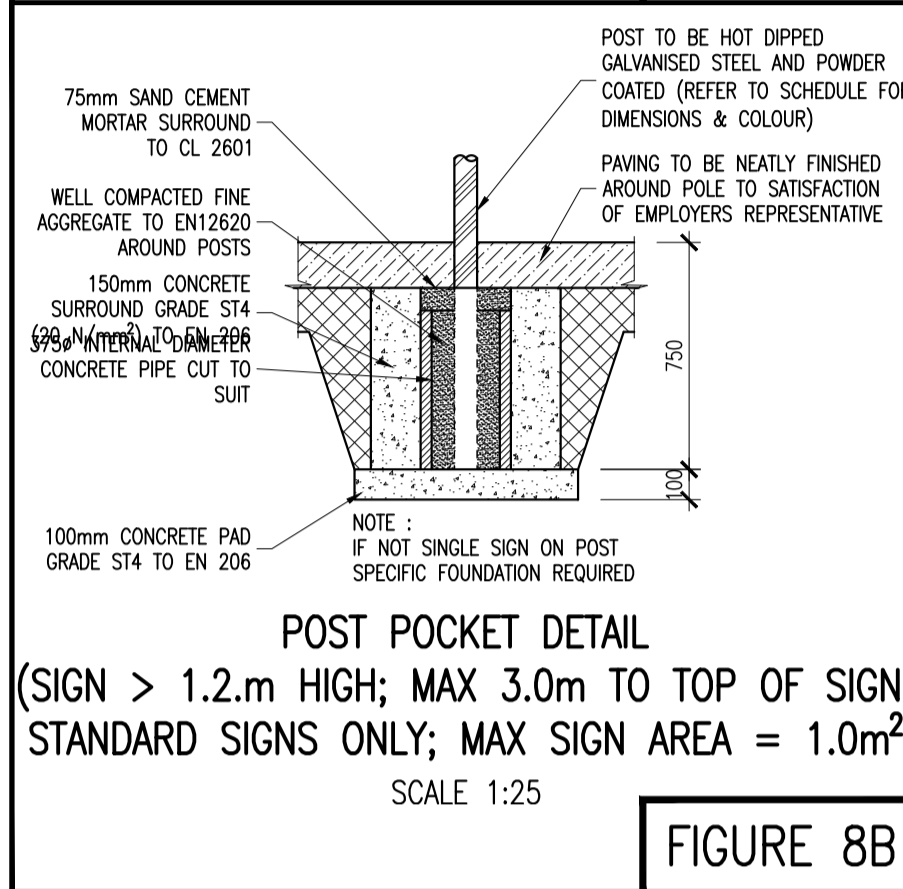


FIGURE 8B

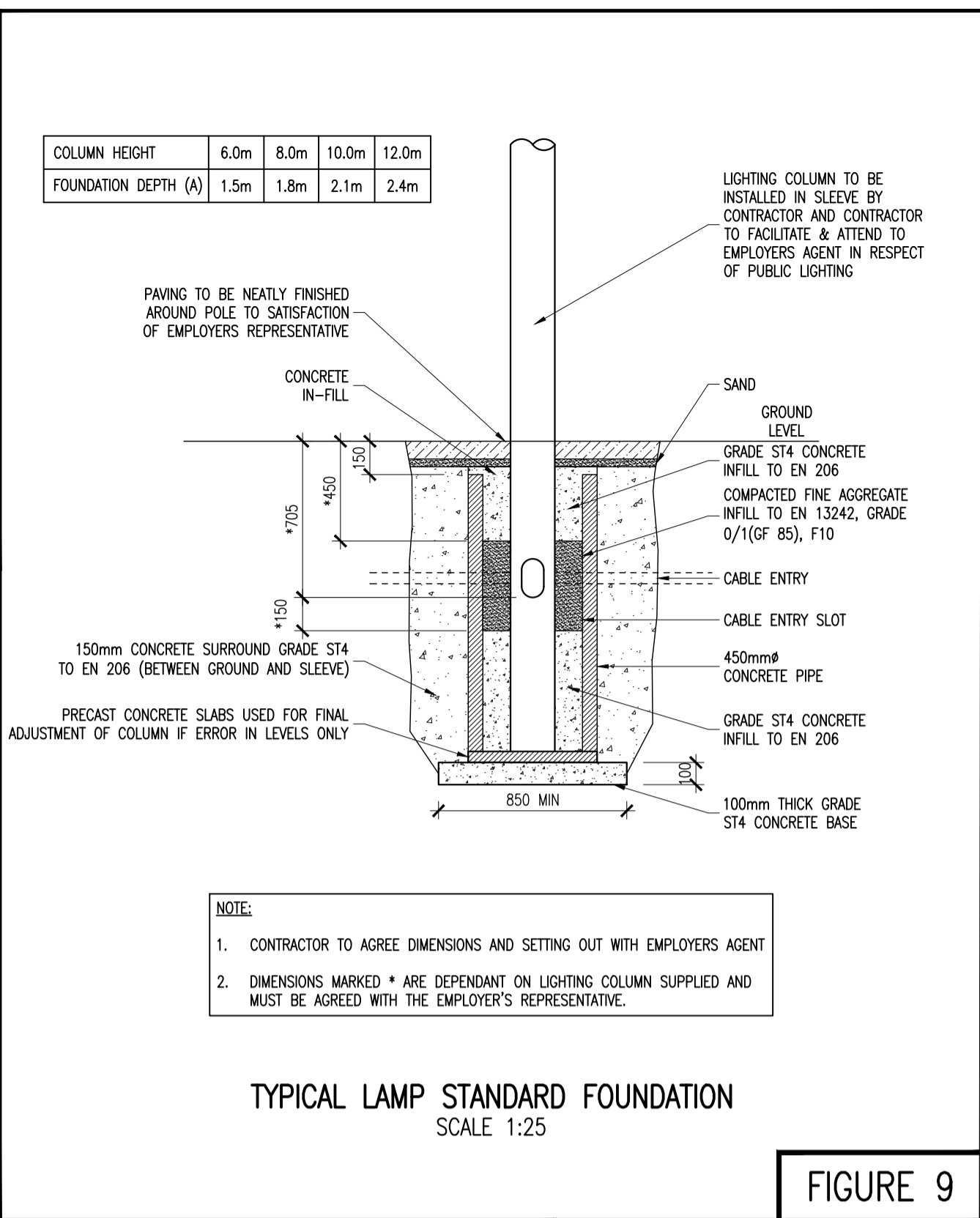


FIGURE 9

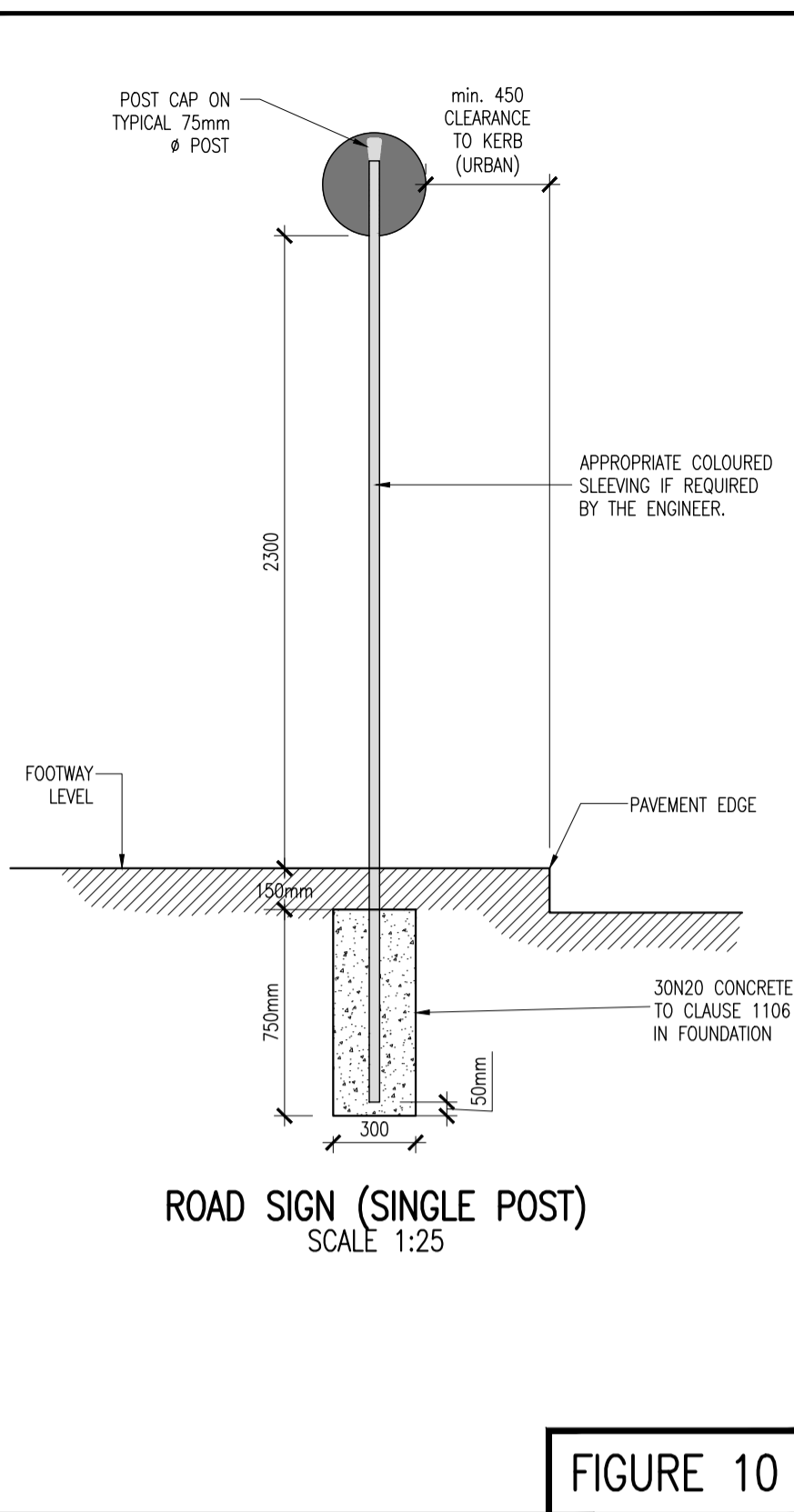


FIGURE 10

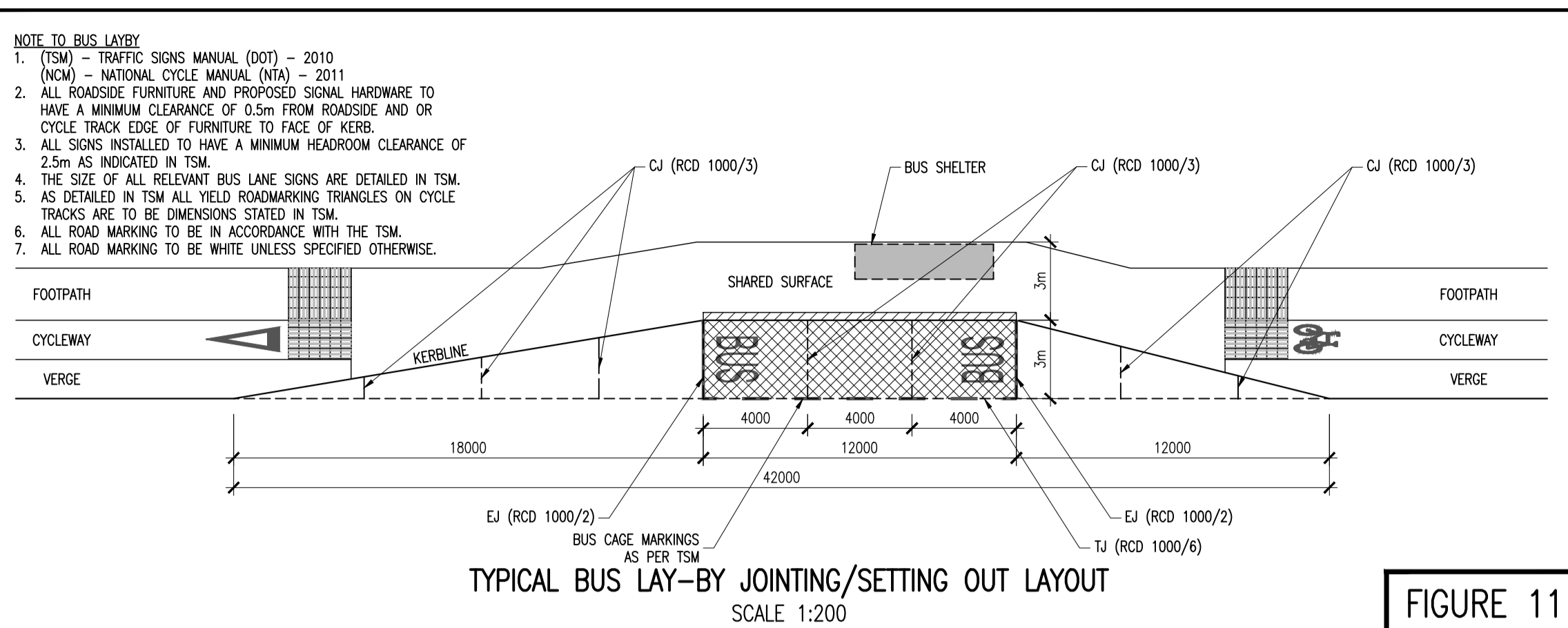


FIGURE 11

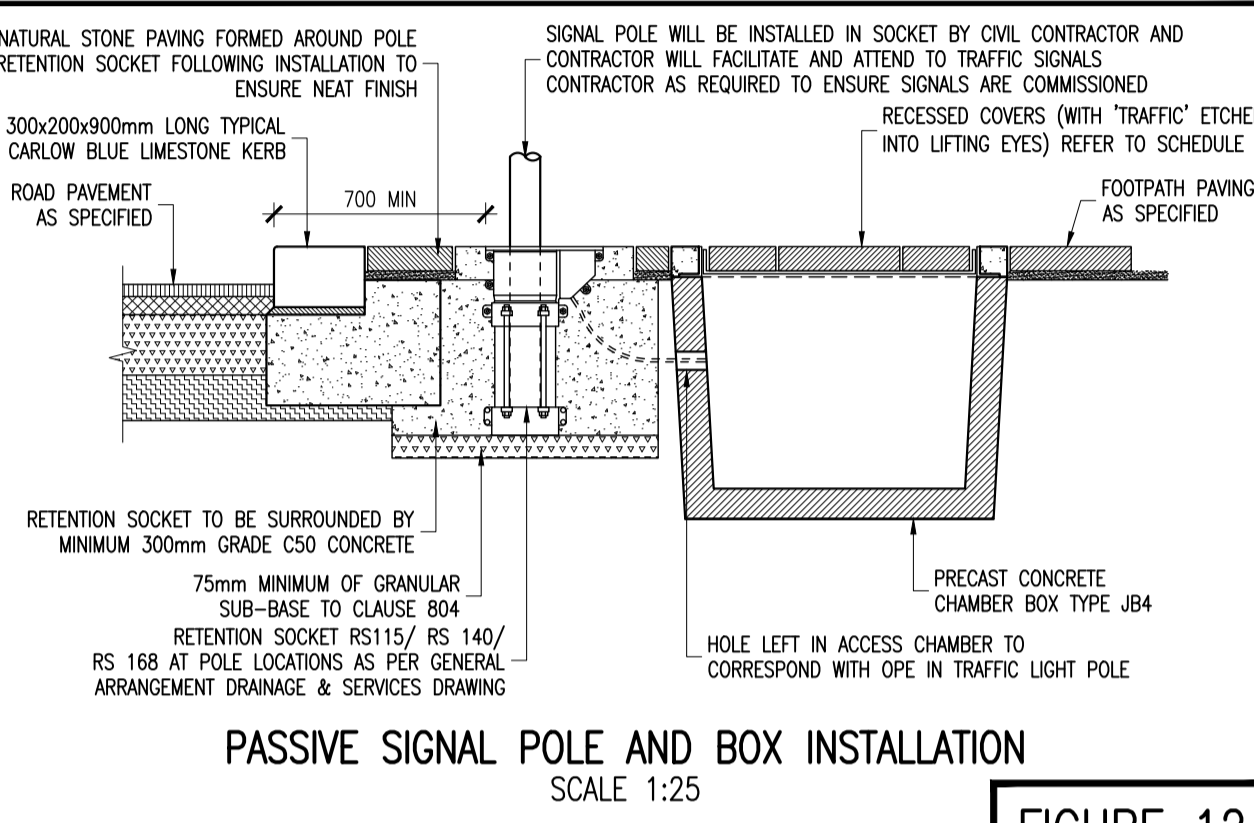


FIGURE 12

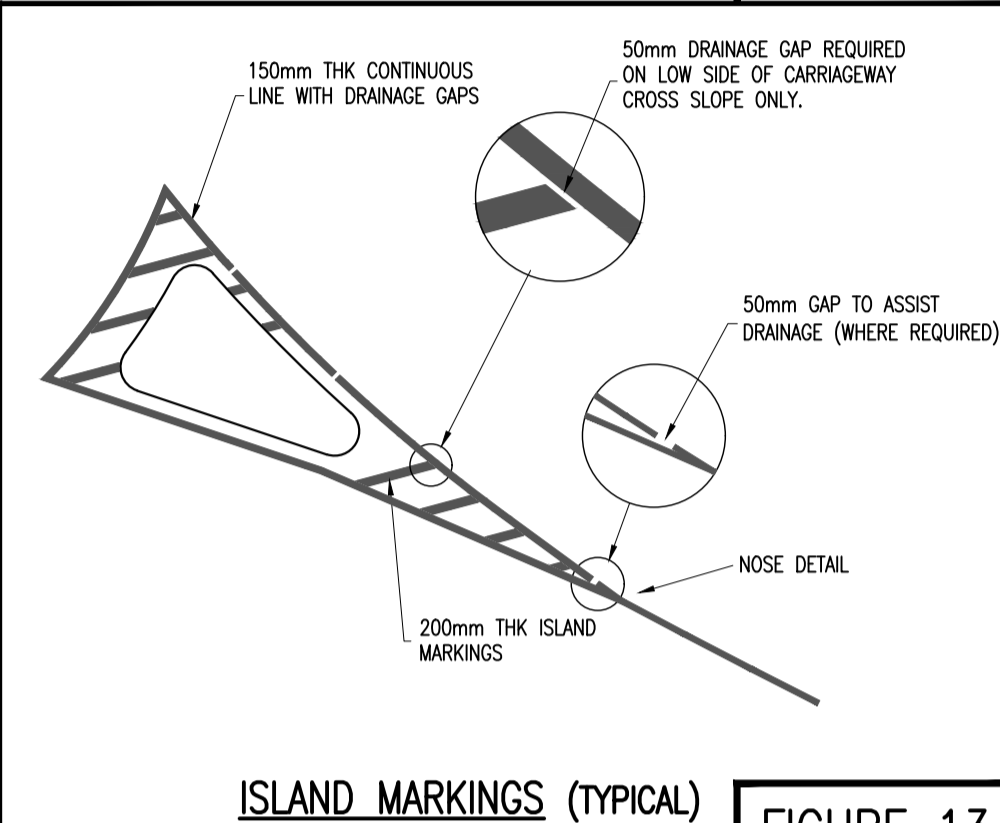


FIGURE 13

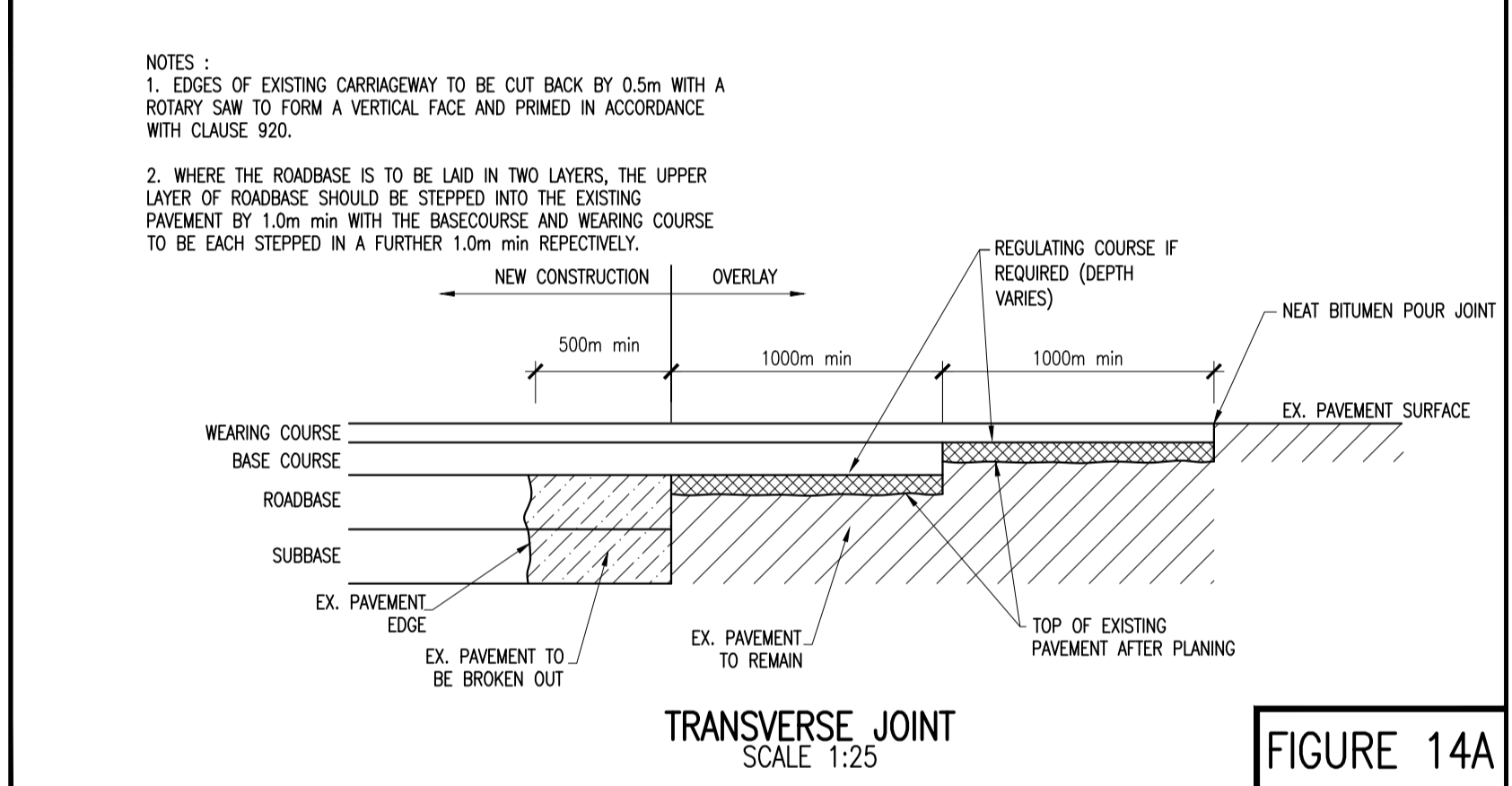


FIGURE 14A

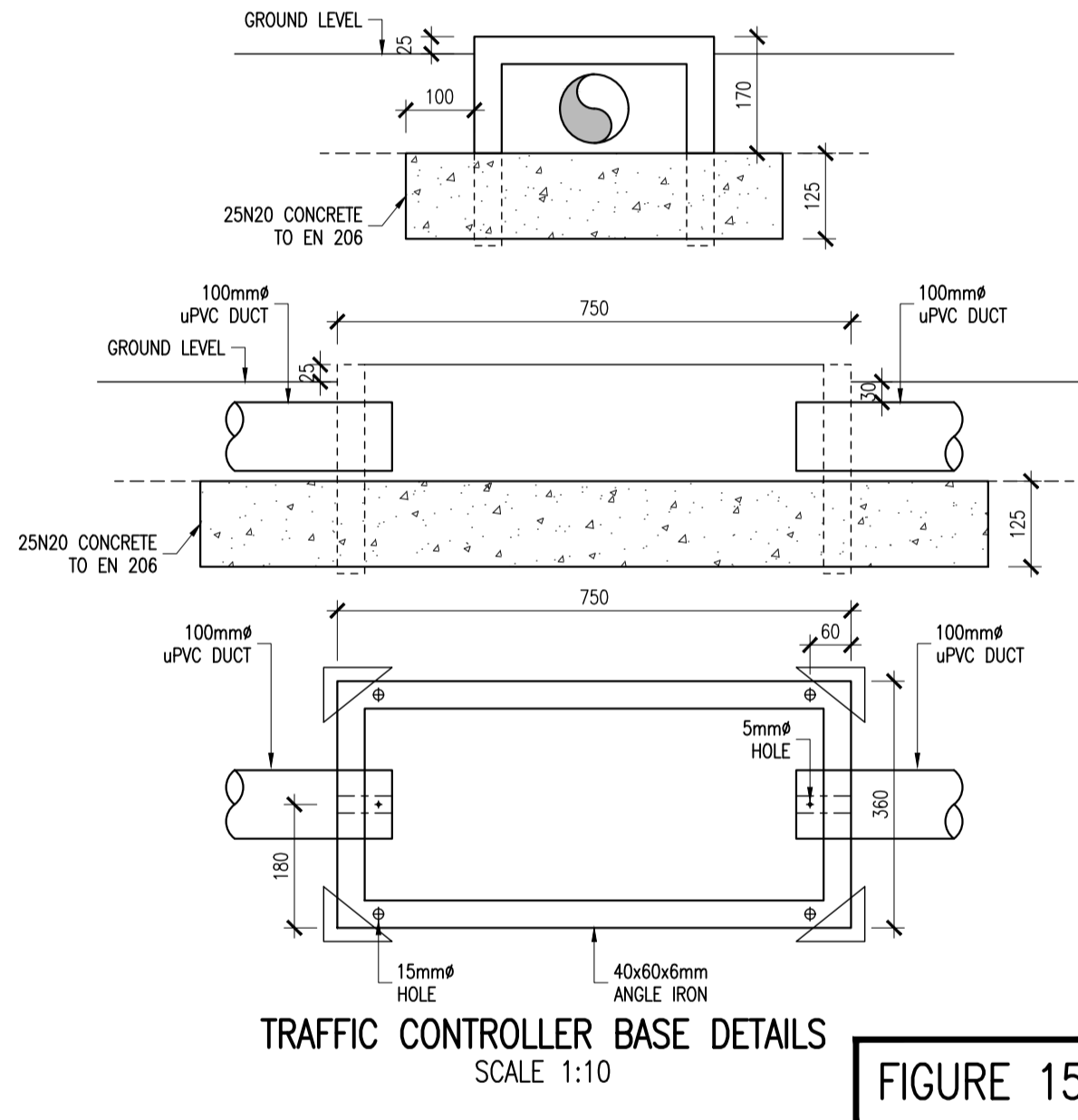


FIGURE 15

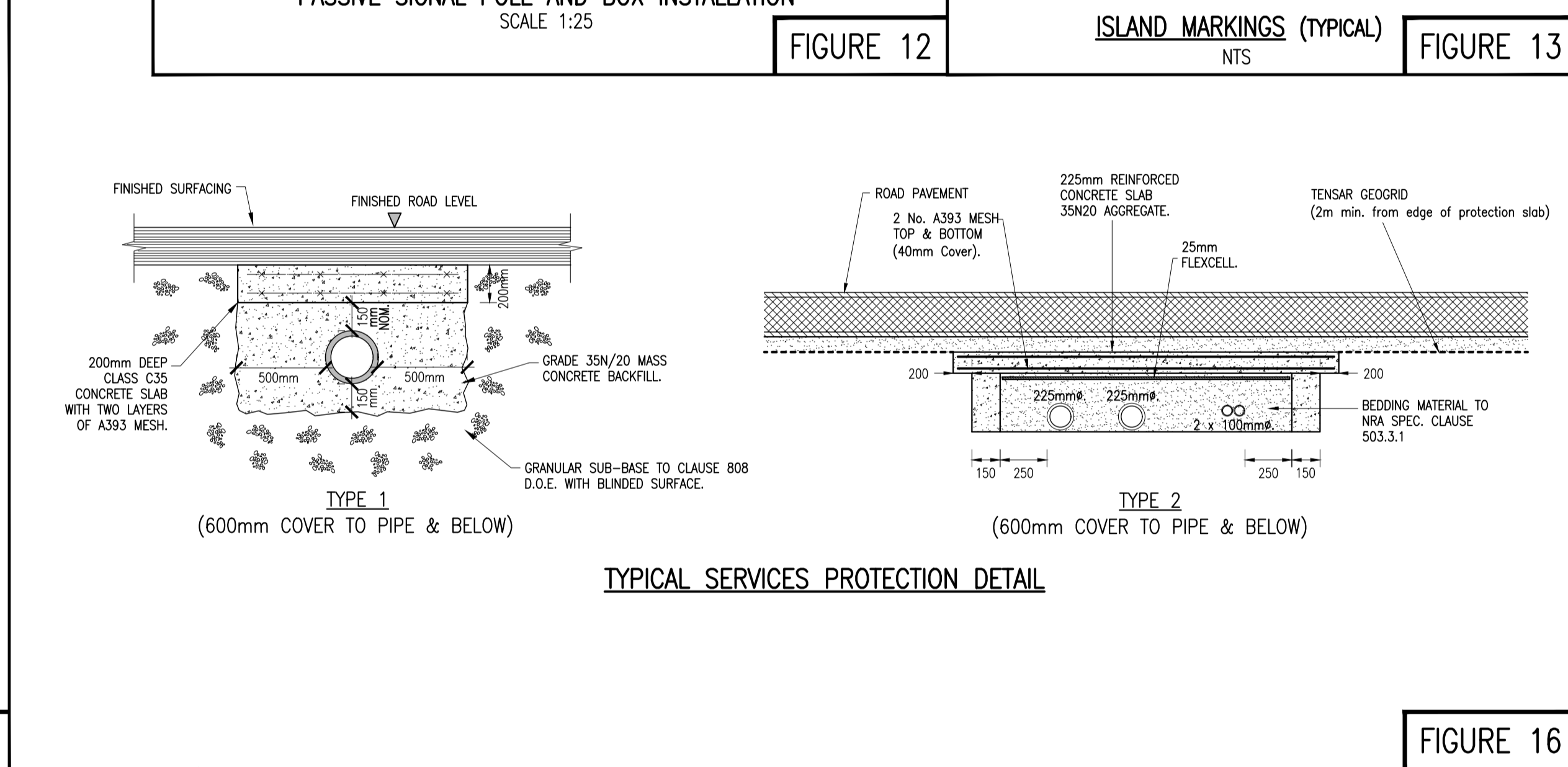


FIGURE 16

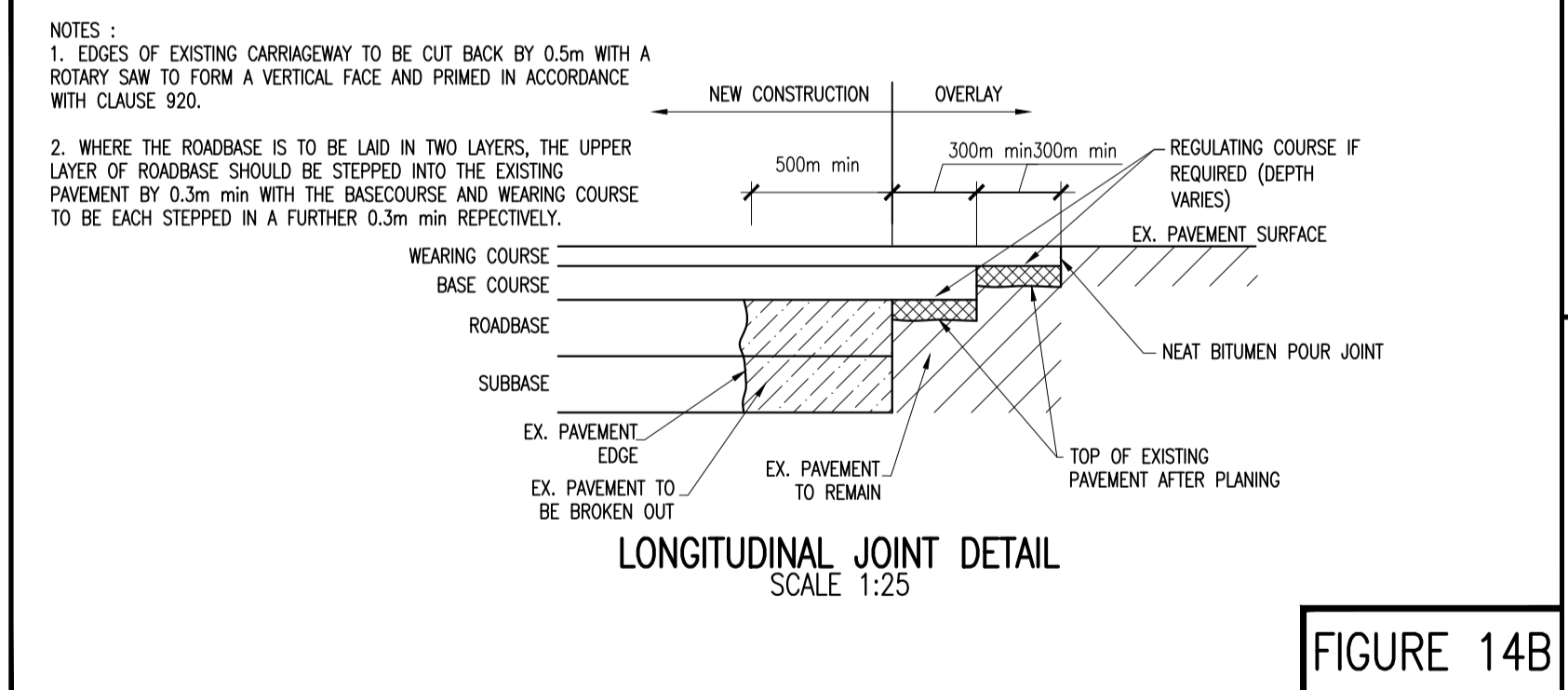


FIGURE 14B

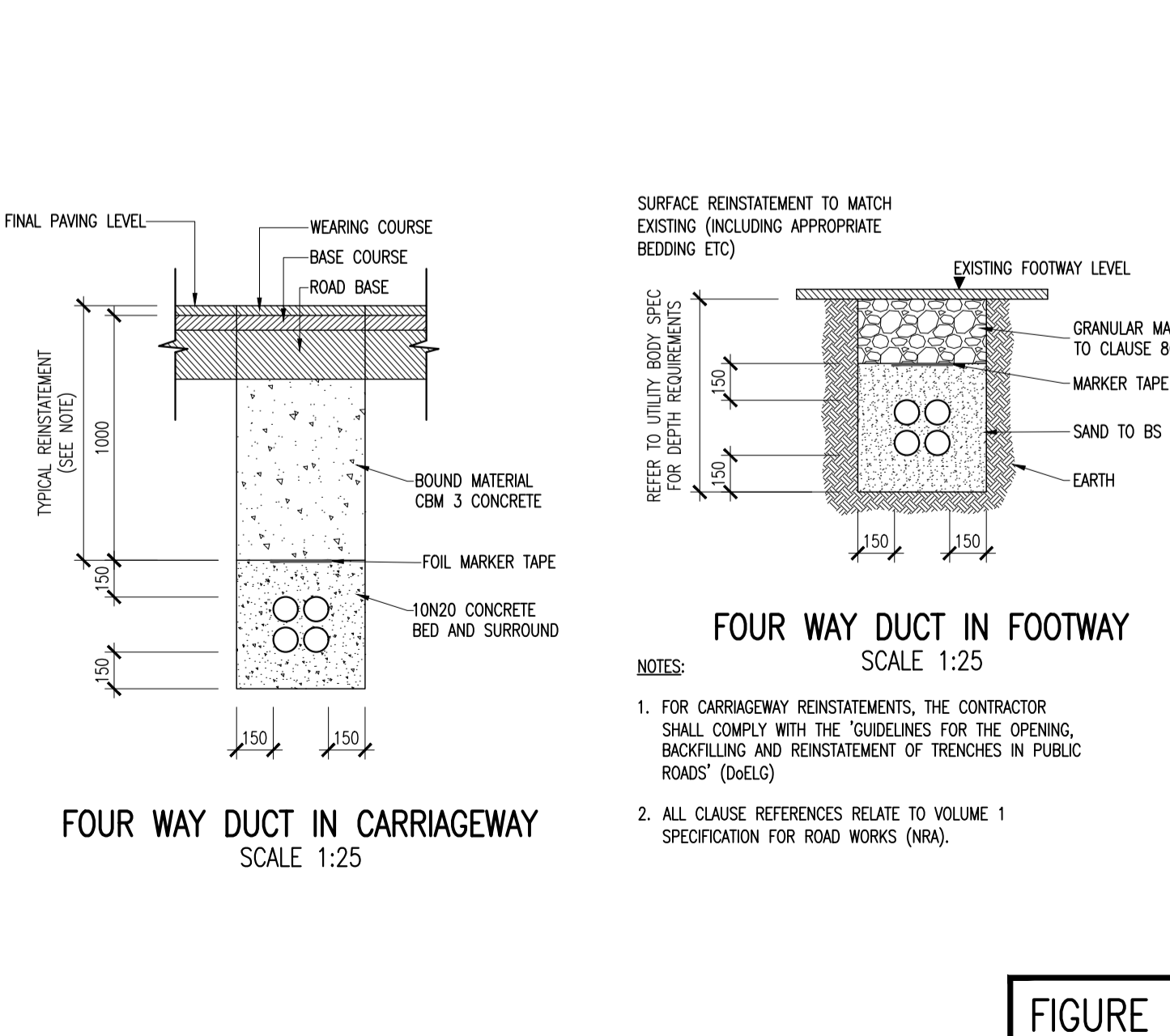


FIGURE 18

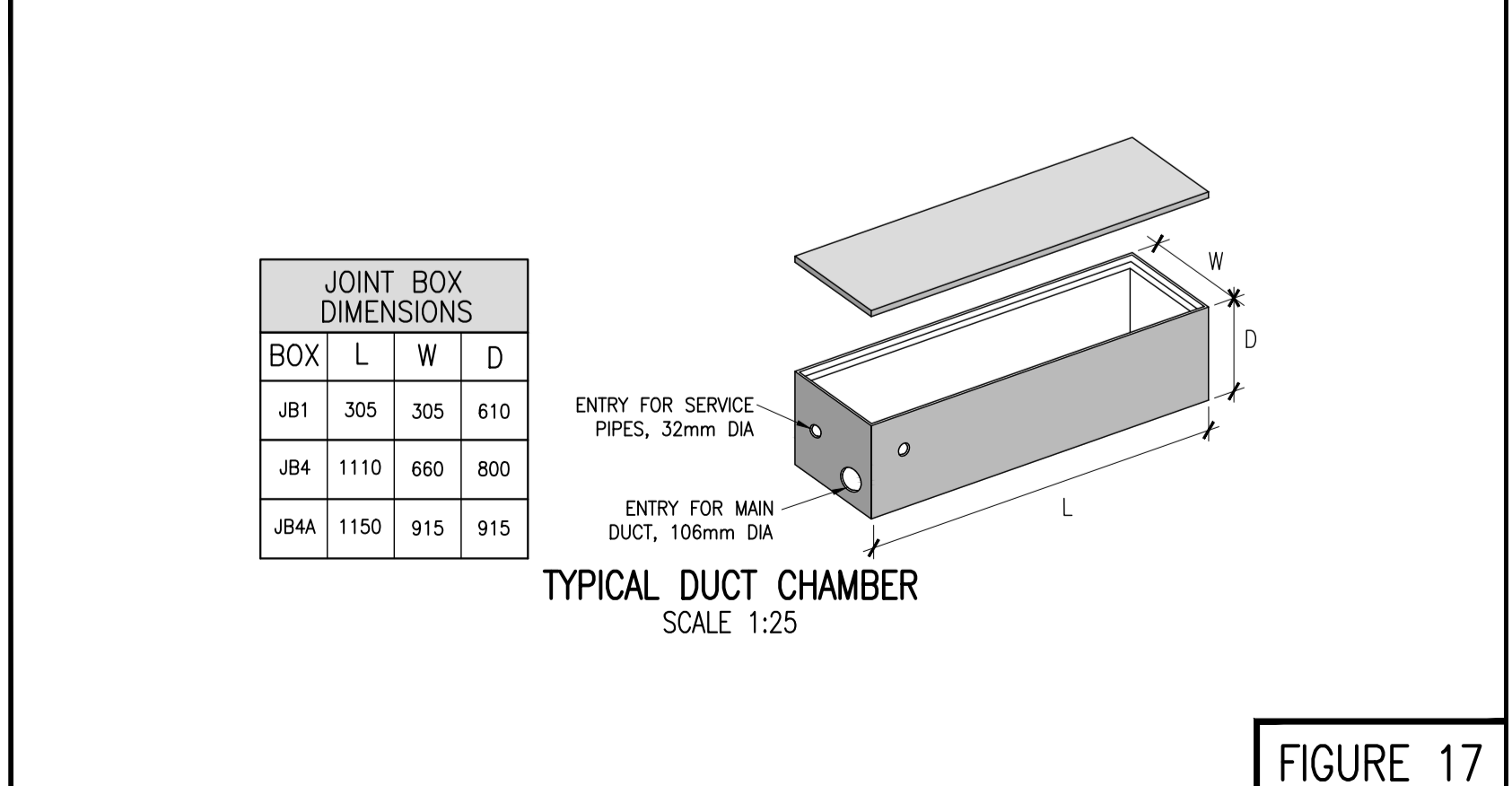


FIGURE 17

© COPYRIGHT OF THIS DRAWING IS RESERVED BY DBFL CONSULTING ENGINEERS. NO PART SHALL BE REPRODUCED OR TRANSMITTED WITHOUT THEIR WRITTEN PERMISSION.

ON ORIGINAL

NOTES:

- ALL FOUL SEWERS 225-300mm DIAMETER TO BE uPVC. WHERE DIAMETER > 300mm FOUL SEWER TO BE CONCRETE. ALL SURFACE WATER SEWERS TO BE CONCRETE.
- uPVC PIPES: UNPLASTICISED P.V.C. PIPES MUST COMPLY WITH THE "PROVISIONAL SPECIFICATION FOR SOIL PIPES, DRAINS, SEWERS AND FITTINGS MADE OF UNPLASTICISED P.V.C." BY THE D.O.E. B.S. 8005: PART 1-SEWERAGE OR EQUIVALENT; B.S. 8010: PART 2-PIPELINES ON LAND OR EQUIVALENT; DESIGN, CONSTRUCTION AND INSTALLATION; B.S. 5955: PART 6 CODE OF PRACTICE FOR INSTALLATION OF UNPLASTICISED P.V.C. PIPEWORK FOR GRAVITY DRAINS AND SEWERS OR EQUIVALENT; EN1401-UNPLASTICISED P.V.C. SEWER PIPE SPECIFICATION B.S.4514-UNPLASTICISED P.V.C. SOIL PIPE SPECIFICATION DAENIG 'SITE DEVELOPMENT WORKS' AND SECTION H OF THE BUILDING REGULATIONS
- CONCRETE PIPES: CONCRETE PIPES WITH SPIGOT AND SOCKET JOINTS AND RUBBER RINGS FITTINGS TO COMPLY WITH IS EN1916 AND IS 6 2004 OR EQUIVALENT STANDARD. CLASS M OR CLASS H. THE REQUIREMENTS OF IS 6/EN/124 1994. GULLIES SHALL BE CLASS D400 FOR INDUSTRIAL LOADINGS AND BE LOCKABLE.
- GULLY WALLS SHALL BE CONSTRUCTED IN CLASS 30N/mm² INSITU CONCRETE OR ALTERNATIVELY IN SOLID CONCRETE BLOCKS DESIGNATED S10, STRENGTH 10N/mm²

PT	17/12/19	PLANNING ISSUE	PJC	BCM
REV	DATE	DESCRIPTION	BY	CHKD.

STAGE 2 - PLANNING

DESIGNED	BCM	PREPARED	PJC
DATE	OCT 2019	CHECKED	DJR

DBFL Dublin Office: Ormrod House, Upper Ormrod Quay, Dublin 7, Ireland. PHONE +353 1 400 4000 FAX +353 1 400 4050

WATERFORD OFFICE: Unit 2, The Chandlery, 1-2 O'Connell Street, Waterford, Ireland. PHONE +353 51 209 550 FAX +353 51 844 913

DBFL Consulting Engineers email: info@dbfl.ie site: www.dbfl.ie

PROJECT
NEWTOWNMOYAGHY SHD

DRG. TITLE
TYPICAL ROAD CONSTRUCTION DETAILS SHEET 3 OF 3

CLIENT
MCGARRELL REILLY

SCALE	AS SHOWN @A1	FILE REF.	190009-DBFL-XX-XX-DR-C-2010
DRG. NO.	190009-DBFL-XX-XX-DR-C-2012		P1